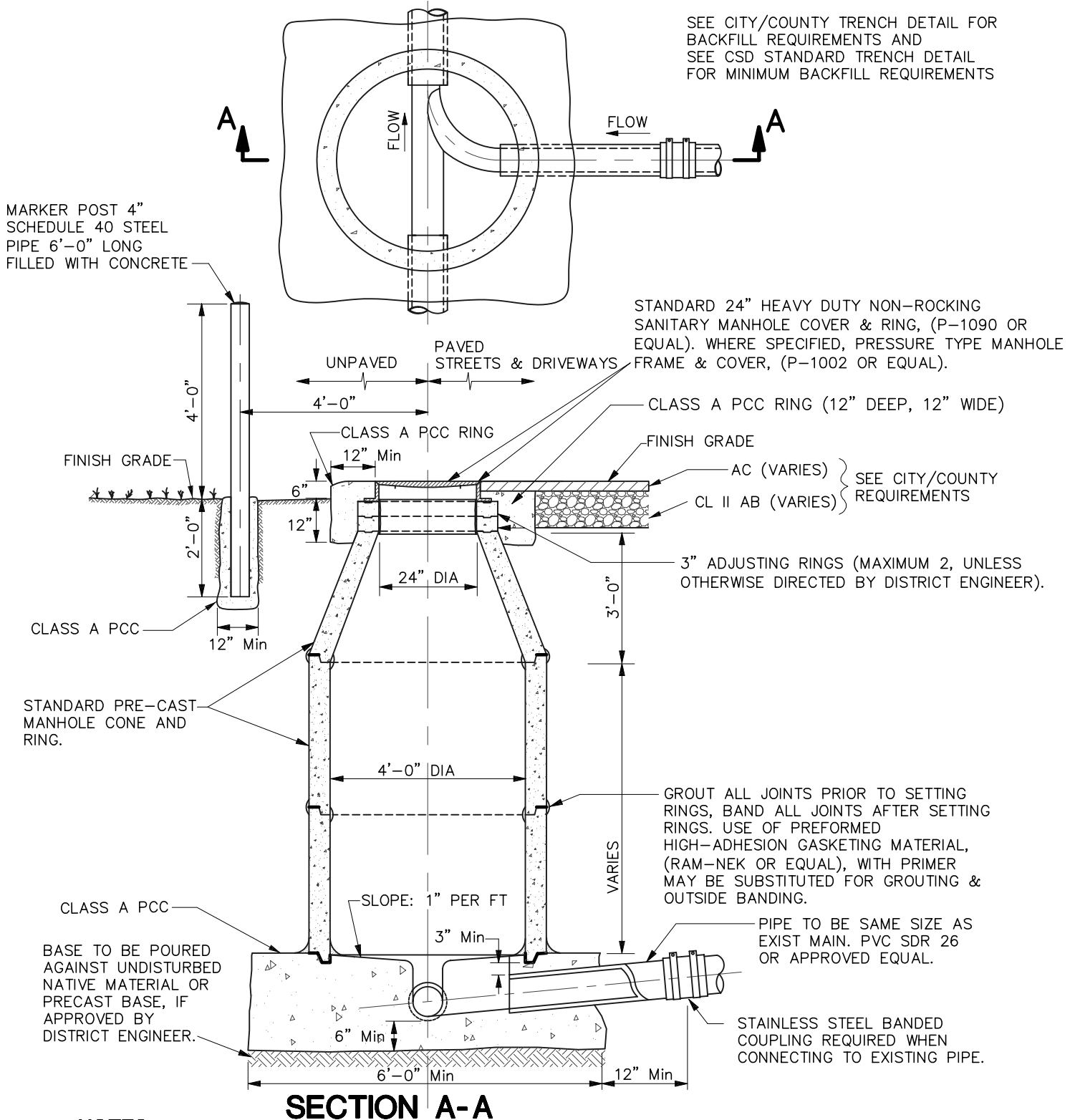




# CUPERTINO SANITARY DISTRICT



### NOTES:

- CHANNELS TO BE FORMED TO APPROXIMATE WIDTH, SIZE AND SHAPE, OF PIPE AND FINISHED WITH GROUT. THICKNESS OF GROUT TO BE APPROXIMATELY ONE HALF INCH (1/2")
- WHEN FOUR (4) LINES COME INTO A MANHOLE, THE TWO LINES WHICH EMPTY INTO THE MAIN CHANNEL ARE TO BE STAGGERED AND NOT SET SO THEY WILL EMPTY IN AT THE SAME POINT.
- ALL CONCRETE TO BE SIX (6) SACK.
- ALL GROUT SHALL CONTAIN "HYDROPEL" EXCEPT WHEN DIRECTED OTHERWISE BY DISTRICT ENGINEER.

FILE NO.  
SP-248

## STANDARD MANHOLE

DETAIL A

DR. BY: ACA DATE: 5/13/3

CK. BY: DMT DATE: 5/13/3

APPROVED. BY:

DATE: 5-15-3