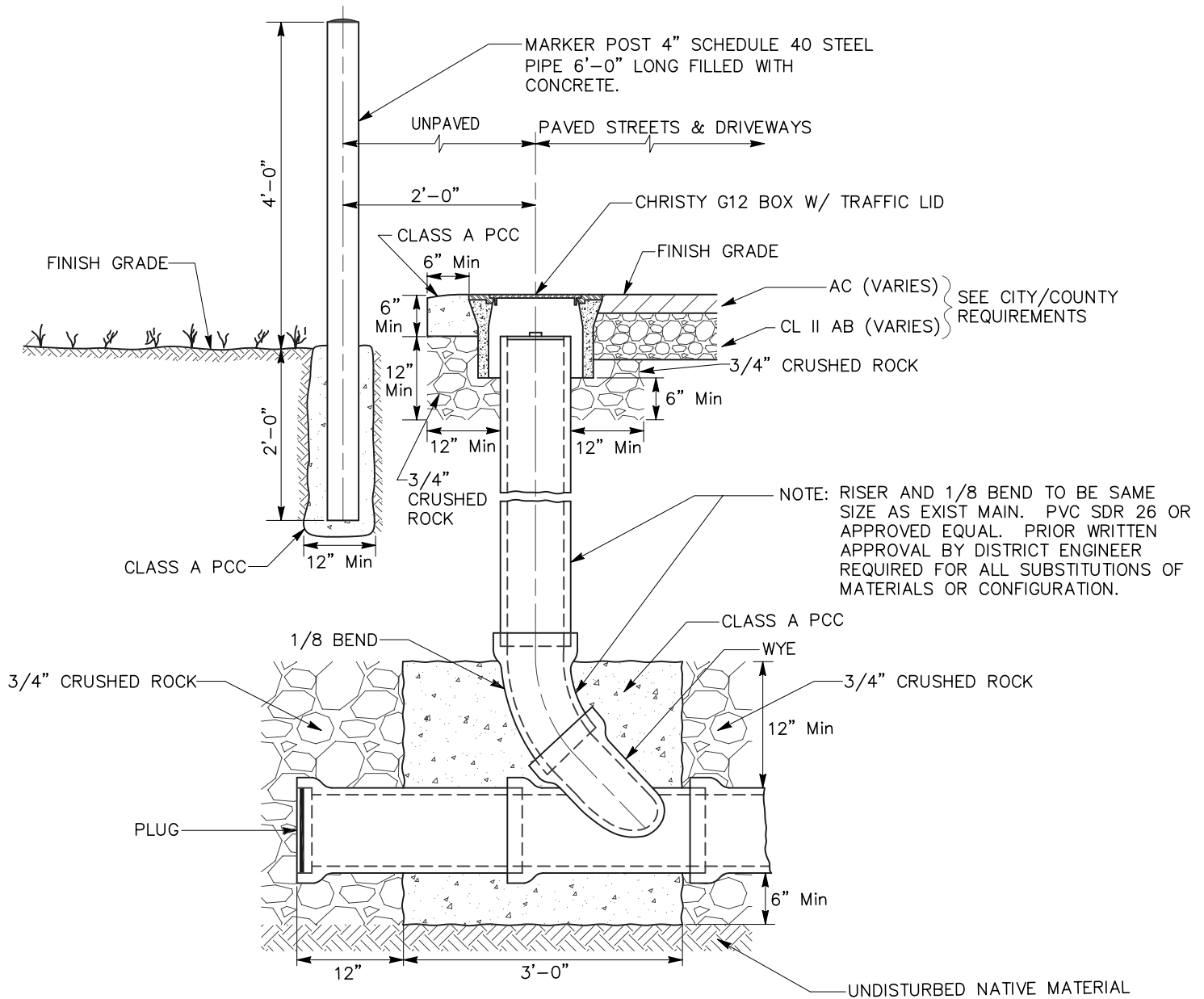




CUPERTINO SANITARY DISTRICT



SEE CITY/COUNTY TRENCH DETAIL FOR BACKFILL REQUIREMENTS AND SEE CSD STANDARD TRENCH DETAIL FOR MINIMUM BACKFILL REQUIREMENTS.

FILE NO. SP-248	STANDARD FLUSHING INLET		DETAIL B
DR. BY: ACA DATE: 5/13/03 RV. BY: ACA DATE: 5/27/04	CK. BY: DMT DATE: 5/13/03 CK. BY: DMT DATE: 5/27/04	APPROVED. BY: <i>David E. Ross</i>	DATE: 5-27-04