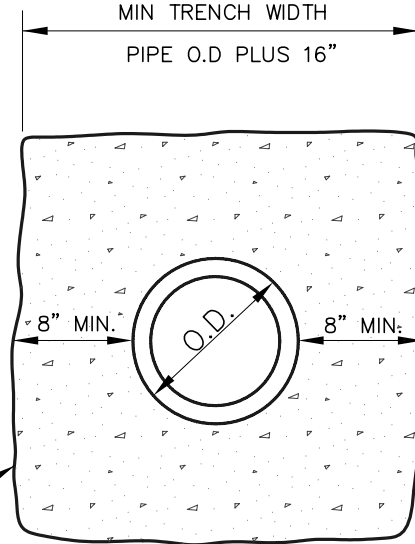




CUPERTINO SANITARY DISTRICT



ENCASEMENTS TO BE POURED
AGAINST UNDISTURBED
NATIVE MATERIAL

SECTION VIEW

NOTES:

1. PIPE TO BE CENTERED IN ENCASEMENT.
MINIMUM THICKNESS OF CONCRETE TO
BE EIGHT (8) INCHES.
2. CONCRETE TO BE SIX (6) SACK.

FILE NO.
SP-248

STANDARD CONCRETE ENCASEMENT

DETAIL C

DR. BY: HJP DATE: 05/13/03

CK. BY: DMT DATE: 05/14/03

APPROVED. BY:

David E. Ross

DATE: 5-15-03