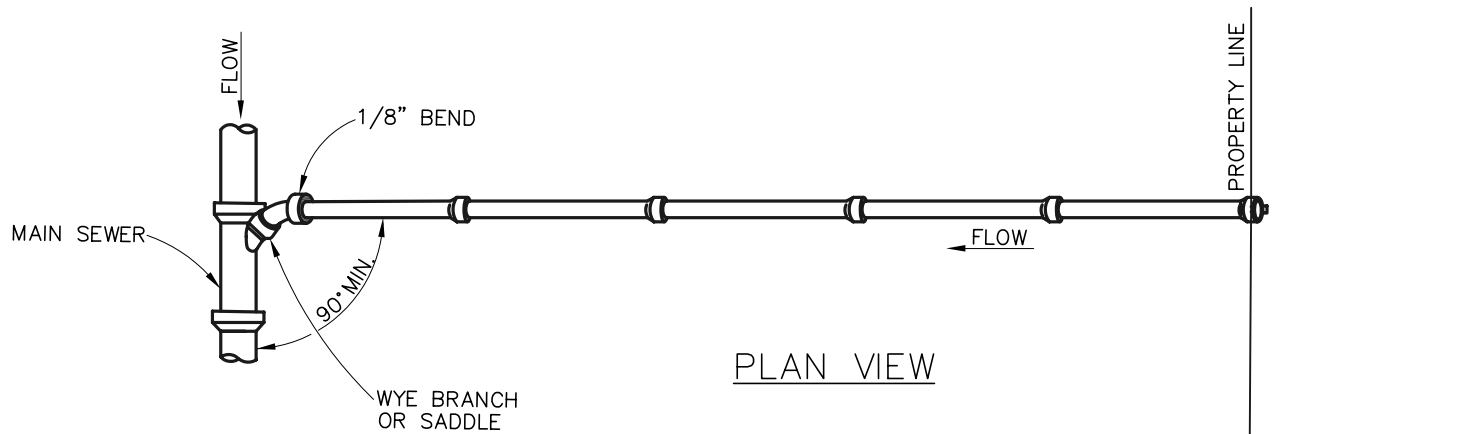
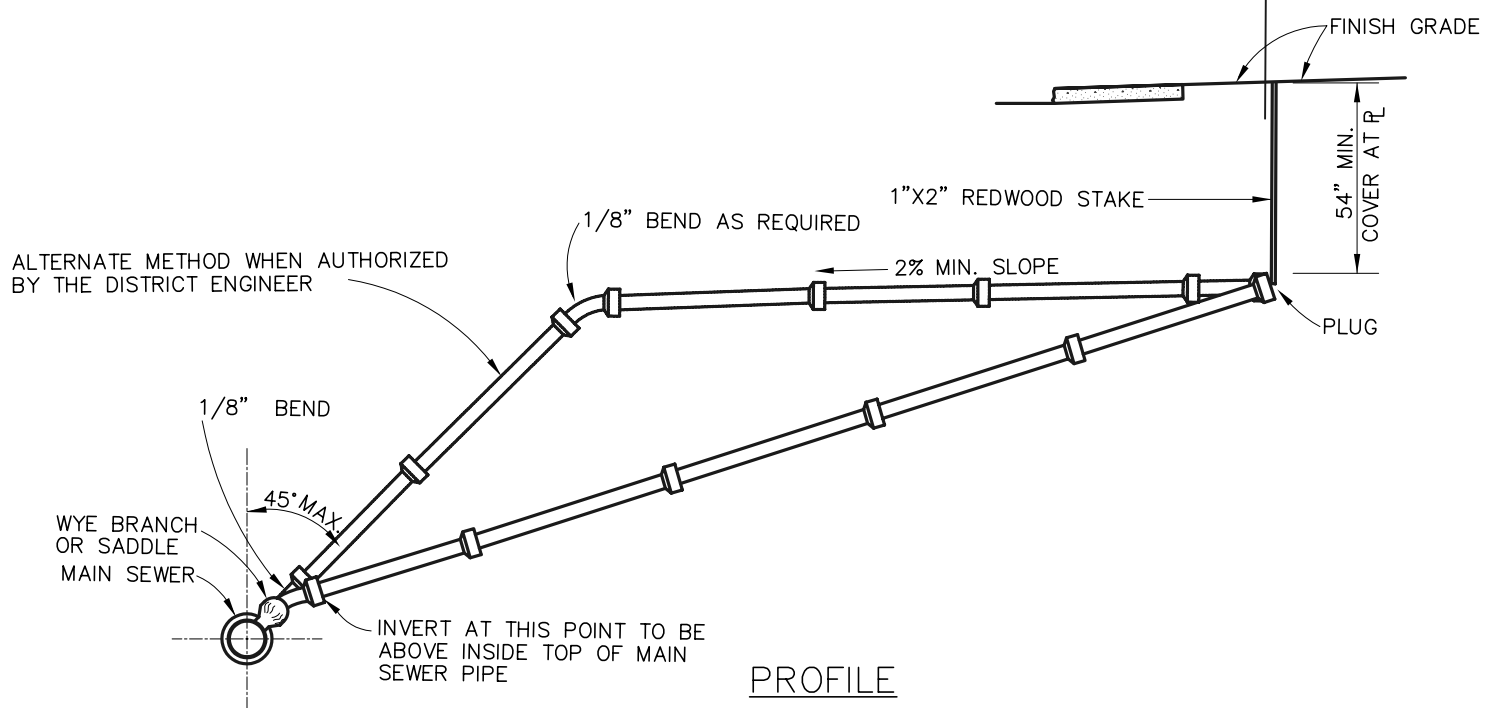




CUPERTINO SANITARY DISTRICT



PLAN VIEW



PROFILE

NOTES:

1. MINIMUM PIPE SLOPE IS 2%.
2. WHEN DIRECTED BY THE DISTRICT ENGINEER, THE LATERAL SHALL BE DEEPER AT PROPERTY LINE TO SERVE EXISTING PLUMBING OR LOW LOTS.
3. REDWOOD STAKE SHALL BE PLACED AT END OF LATERAL SEWER. TOP OF STAKE TO BE FLUSH WITH GROUND.

FILE NO. SP-248	<h2>STANDARD LATERAL SEWER</h2>	DETAIL E
DR. BY: HJP DATE: 05/13/03	CK. BY: DMT DATE: 05/14/03	APPROVED BY: <i>David E. Ross</i> DATE: 5-15-03