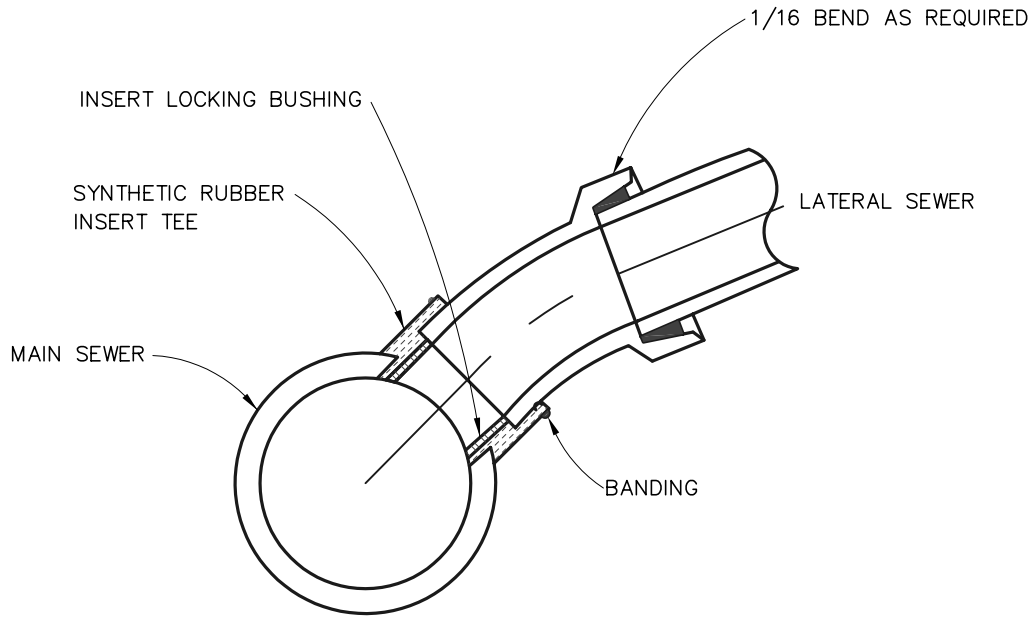




# CUPERTINO SANITARY DISTRICT



FILE NO.  
SP-248

STANDARD SYNTHETIC RUBBER WEDGED INSERT TEE

DETAIL F

DR. BY: HJP

DATE: 04/07/03

CK. BY: DMT

DATE: 04/08/03

APPROVED. BY:

DATE: 5-15-03