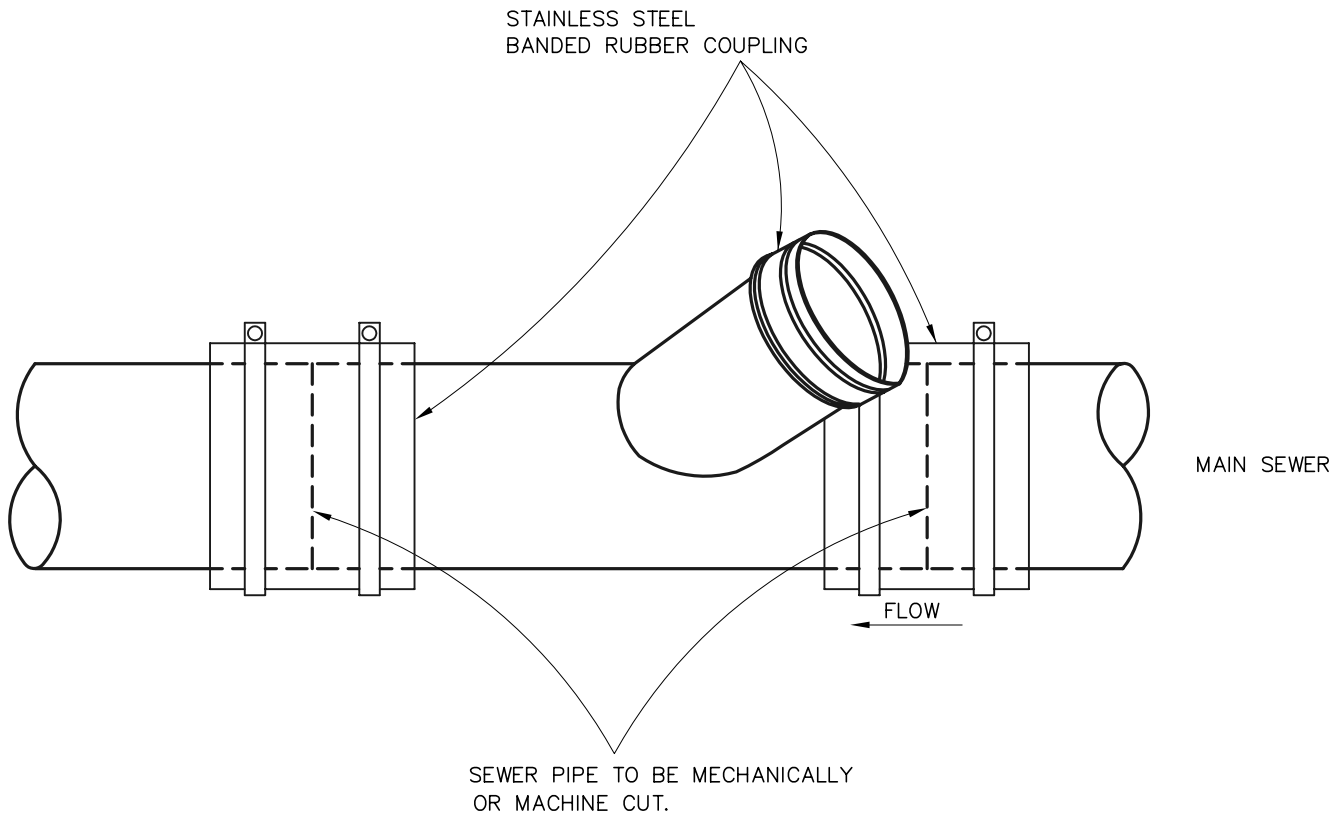




CUPERTINO SANITARY DISTRICT



FILE NO.
SP-248

STANDARD BANDED WYE INSTALLATION

DETAIL G

DR. BY: HJP DATE: 05/13/03

CK. BY: DMT DATE: 05/14/03

APPROVED. BY:

DATE: 5-15-03